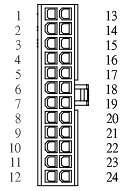
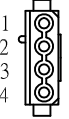


REVISIONS	DESCRIPTION	APPROVED	DATE

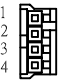
1. EPS12V(Intel) Main Power Connector

Pin	Color	Signal	Pin	Color	Signal	P1	Wire Length
1	Orange	+3.3Vdc	13	Orange	+3.3Vdc	 P1=250±10mm JP2416-24 or EQU.	
	Brown	+3.3Vs.					
2	Orange	+3.3Vdc	14	Blue	-12Vdc		
3	Black	COM	15	Black	COM		
4	Red	+5Vdc	16	Green	PS_ON#		
5	Black	COM	17	Black	COM		
6	Red	+5Vdc	18	Black	COM		
7	Black	COM	19	Black	COM		
8	Gray	PWR_OK	20	N.C.			
9	Purple	+5Vsb	21	Red	+5Vdc		
10	Yellow	+12V1dc	22	Red	+5Vdc		
11	Yellow	+12V1dc	23	Red	+5Vdc		
12	Orange	+3.3Vdc	24	Black	COM		

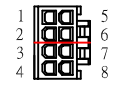
3. Peripheral Power Connector (4Pin)

Pin	Color	Signal	P3~P4	Wire Length
1	Yellow	+12Vdc	 JP1120-4 or EQU.	P3=250±10mm P4=150±10mm
2	Black	COM		
3	Black	COM		
4	Red	+5Vdc		


4. Floppy Drive Power Connector(s) (4Pin)

Pin	Color	Signal	P5	Wire Length
1	Yellow	+12Vdc	 JP11635-4 or EQU.	P5=150±10mm
2	Black	COM		
3	Black	COM		
4	Red	+5Vdc		

2. Processor(Intel) Power Connector (8Pin)

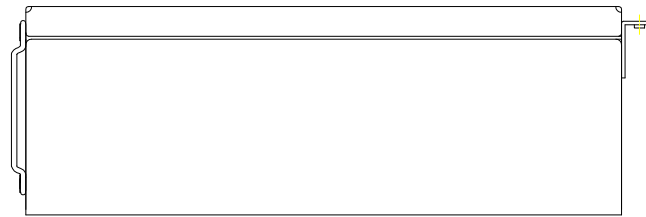
Pin	Color	Signal	P2	Wire Length
1	Black	COM	 P2=250±10mm WST P4-I42002K3B P4-I42002K4B	
2	Black	COM		
3	Black	COM		
4	Black	COM		
5	Yellow	+12Vdc.		
6	Yellow	+12Vdc.		
7	Yellow	+12Vdc.		
8	Yellow	+12Vdc.		

3. Serial ATA Power Connector (15Pin)

Pin	Color	Signal	P6 ~ P7	Wire Length
1	Yellow	+12V2dc	 JP6758-15 or EQU.	P6=250±10mm P7=150±10mm
2	Black	COM		
3	Red	+5Vdc		
4	Black	COM		
5	Orange	+3.3Vdc		

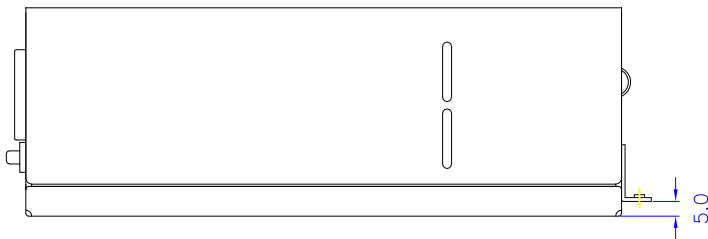
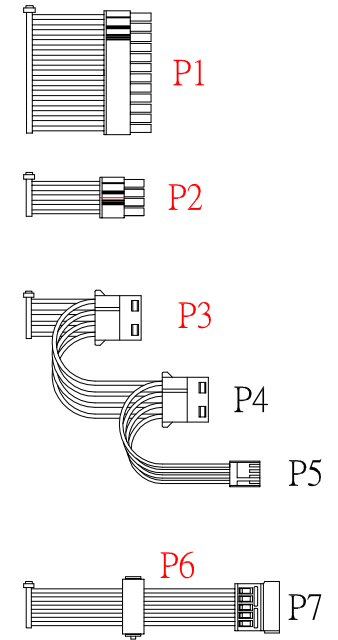
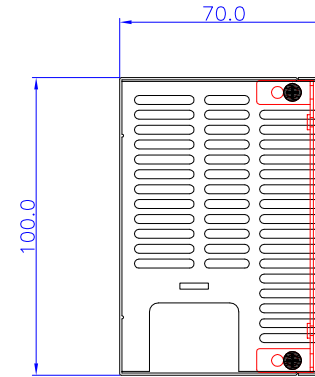
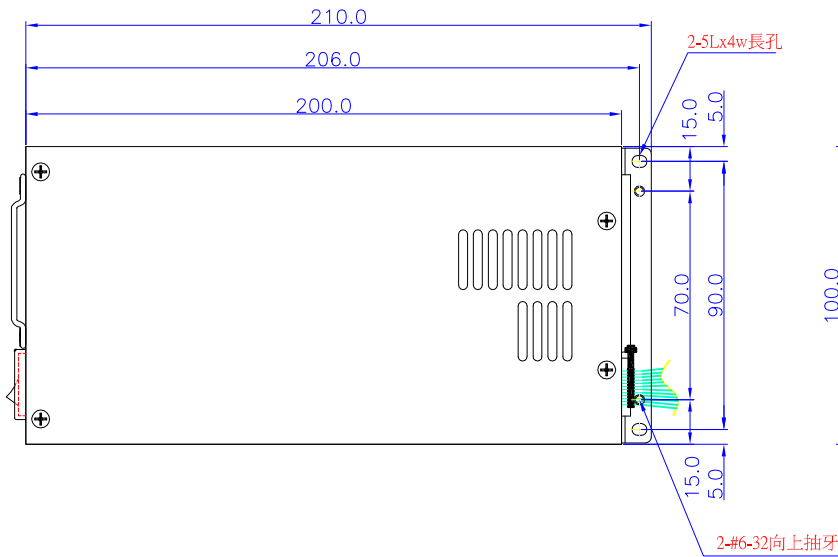
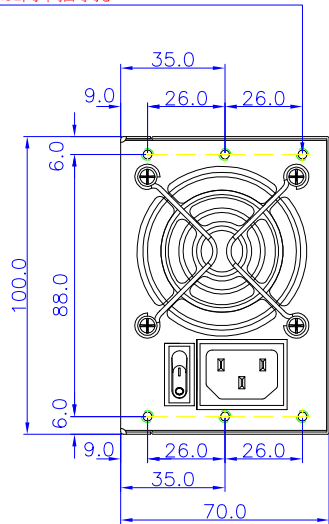
線材端子配置方式 1. 7條含以上用威力盛(WST)高腳端子 2. 6條含以下用連泰(LTD)端子 3. 所有組合端子皆不鍍錫		MODEL NAME	ST-P0350WAB	 七盟電子工業股份有限公司	
		PART NO.	0350WABSZTE03M6		
APPLY FOR NO.	SD-05-xx-xxx	MATERIAL	Standard	DATE	2013/06/17
CUSTOMER		APPROVED	鄭佳慶	PROJECTION	
SALES		CHECKED	林子翔	REV NO.	2
TSD		DRAWN	薛龍	SCALE	1:1
			13/06/17	TOLERANCE	±0.5
				UNIT	mm

REVISIONS	DESCRIPTION	APPROVED	DATE



POWER WIRE LENGTH						
P1	P2	P3	P4	P5	P6	P7
250	250	250	150	150	250	150
NOTE:線材外露長度公差為: ±10mm.						

TAPPING EXTRUDE DOWN
6-6#32向下抽牙孔



線材端子配置方式 1. 7條含以上用威力盛(WST)高腳端子 2. 6條含以下用連泰(LTD)端子 3. 所有組合端子皆不鍍錫	MODEL NAME	ST-P0350WAB		 七盟電子工業股份有限公司				
	PART NO.	0350WABSZTE03M6						
	APPLY FOR NO.	MATERIAL	Standard		DATE	2013/06/17		
CUSTOMER	APPROVED	鄭佳慶		PROJECTION				
SALES	CHECKED	林子翔		REV NO.	2	SCALE	1:1	
TSD	DRAWN	薛龍		13/06/17	TOLERANCE	±0.5	UNIT	mm

